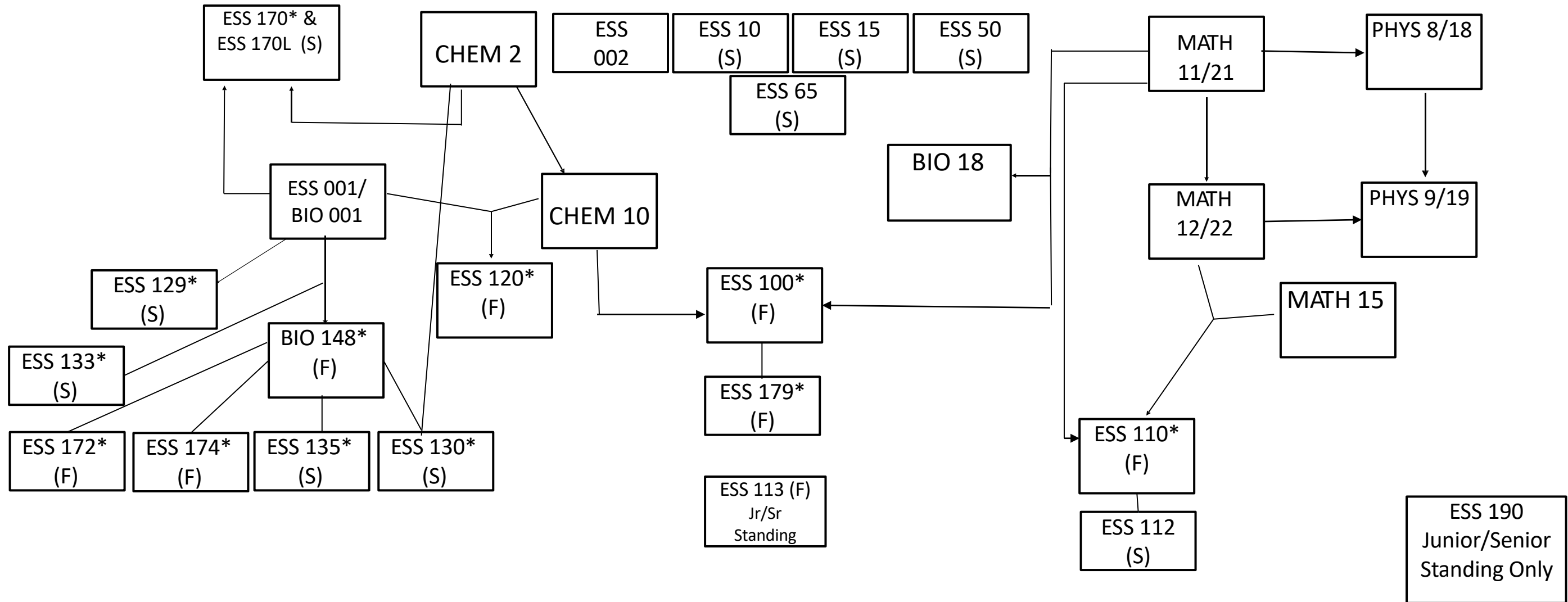


Environmental Systems Science Major Flow Chart 2020-2021



NOTE:
*Refer to Schedule of Classes for additional pre-requisites options

(F) Offered Fall only
(S) Offered Spring only

This chart is meant to guide students in the proper sequencing of course work. This list is not an exhaustive and subject to change. Students should refer to the current schedule of classes for current course prerequisites.